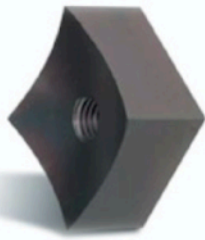
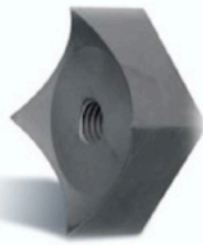


Flat



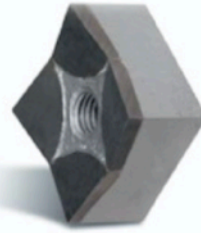
Concave



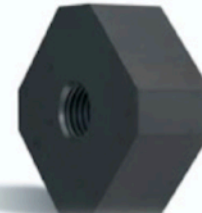
Extra concave



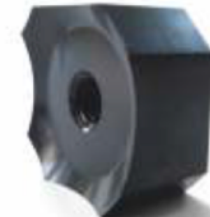
Cross cut



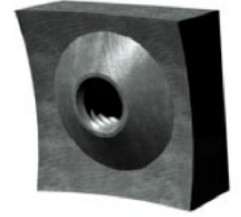
Carbide



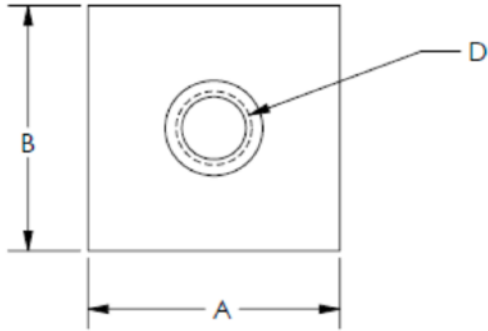
Trapezoid



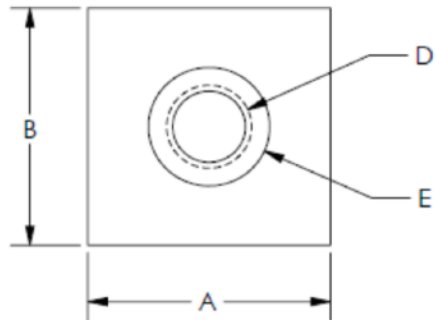
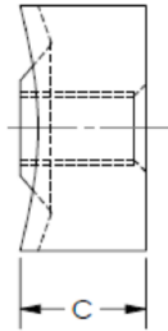
Trapezoid



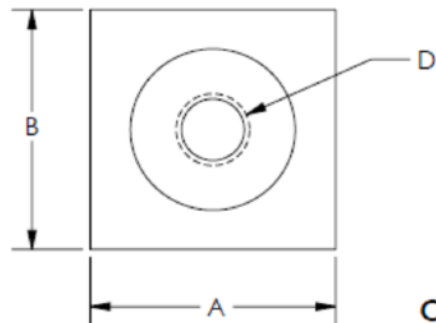
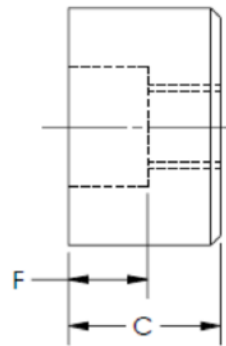
Raised core



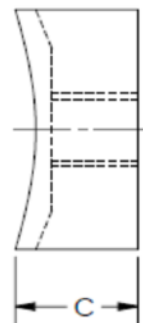
Raised Crown



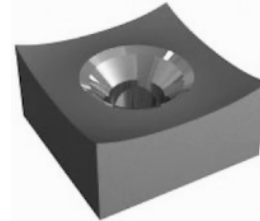
Flat Cutter



Concaved



Metso



V Form

SHREDDER KNIFE IDENTIFICATION

QUOTE NUMBER: _____
 MACHINE NAME: _____
 MACHINE MODEL: _____
 OEM# (if available): _____

1.) Note any part numbers or markings on the knife:

Please complete the following information:

A. Length: _____
 B. Width: _____
 C. Thickness: _____

2.) Hole/Thread information:

Type of holes (counterbored or tapped): _____
 D. Thread size: _____
 E. Hole diameter (if counterbored): _____
 F. Counterbore depth: _____

3) Please circle or write which option applies:

(Options shown at right) _____

4) Material being processed: _____

5) Note any special features: _____

Other shapes

